

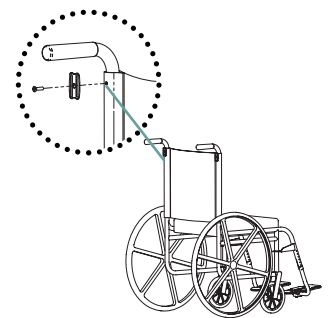
Introducing the Monoflex™ Anterior Trunk Support from Bodypoint

Monoflex™ Anterior Trunk Support



THE MONOFLEX™ ANTERIOR TRUNK SUPPORT makes a perfect dynamic chest belt or abdominal support. Its soft, comfortable material provides just the right amount of stretch while offering substantial support. Side-release buckles allow closure and adjustment on both sides for the convenience of users and caregivers. Mounting hardware for sling upholstery or solid backrests is included.

Part No.	Description	Retail Price
SH103XS	XS, 12-1/2" (318mm) long x 3" (76mm) wide	\$76
SH103S	Sm, 15-5/8" (397mm) long x 3-1/2" (89mm) wide	\$76
SH103M	Med, 18-3/4" (476mm) long x 4" (102mm) wide	\$80
SH103L	Lg, 21-7/8" (556mm) long x 4-1/2" (114mm) wide	\$80
SH103XL	XL, 25" (635mm) long x 5" (127mm) wide	\$80



Versatile mounting hardware allows easy installation on either sling-back or solid backrests.

