

SIZE	PART NUMBERS	
	CINCH-MOUNT	FLAT-MOUNT
SMALL	SH240S-B2	SH240S-B1
MEDIUM	SH240M-B2	SH240M-B1
LARGE	SH240L-B2	SH240L-B1

SHEET 1 OF 3

note

description

**TRIMLINE SHOULDER HARNESS, REAR-PULL, TECHNICAL SPECS**

drawing no.

**D11-0824-30**

date originated

8/24/2011

drawn by

D. HAGAN

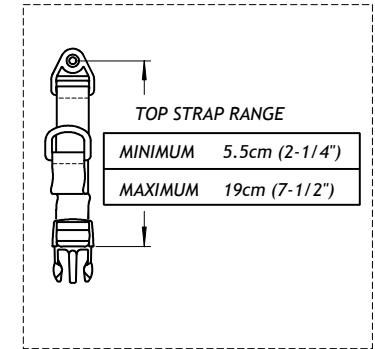
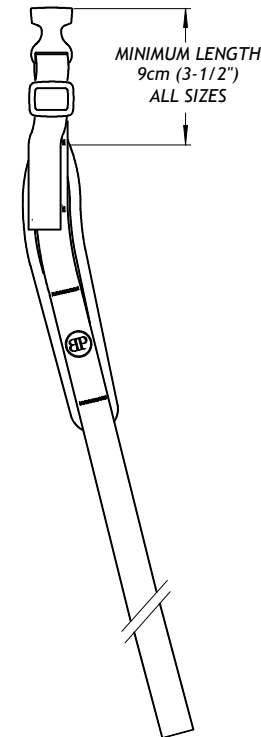
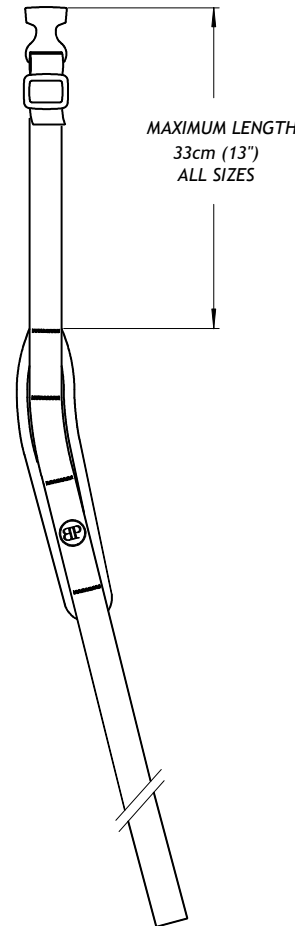
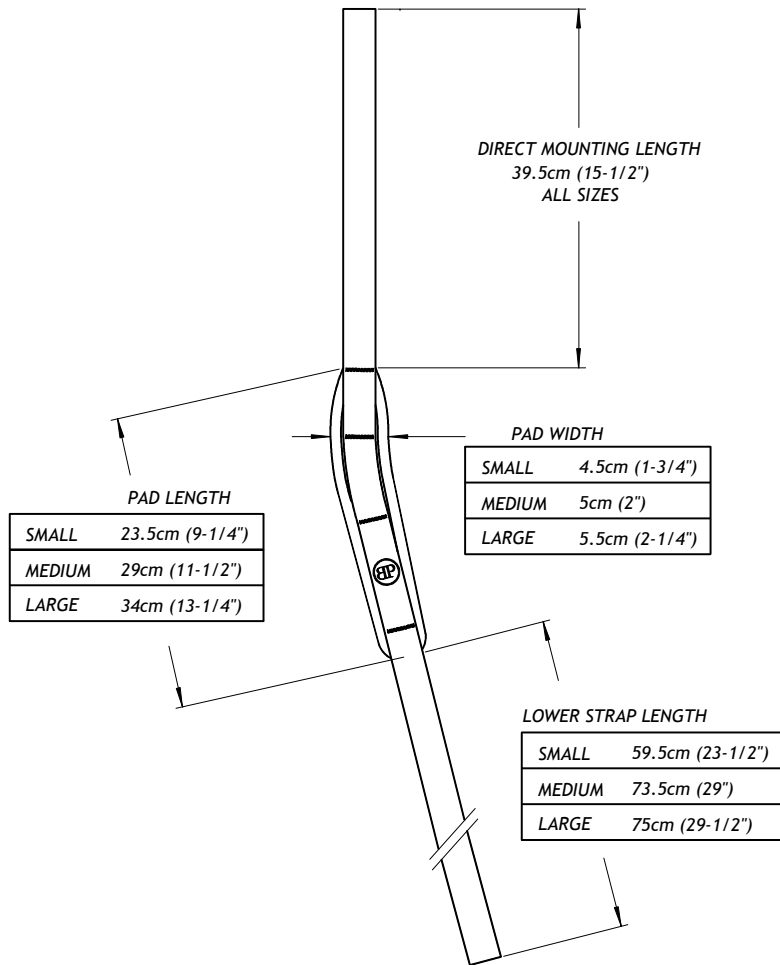
rev.

**B**



# Bodypoint®

technical bulletin



SHEET 2 OF 3

note

description

**TRIMLINE SHOULDER HARNESS, REAR-PULL, TECHNICAL SPECS**

drawing no.

**D11-0824-30**

date originated

8/24/2011

drawn by

D. HAGAN

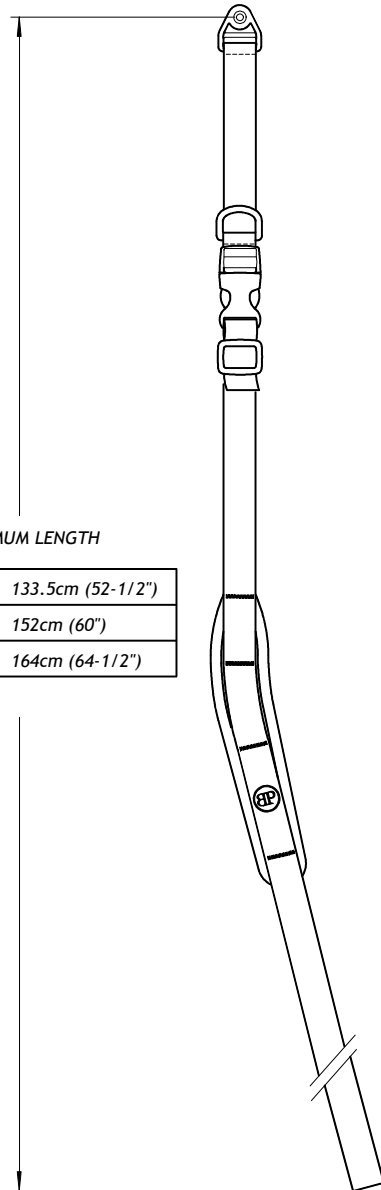
rev.

**B**



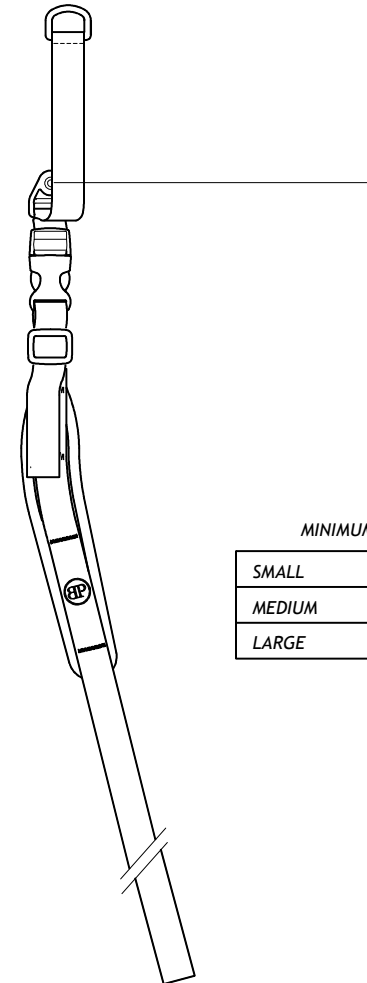
MAXIMUM LENGTH

SMALL	133.5cm (52-1/2")
MEDIUM	152cm (60")
LARGE	164cm (64-1/2")



MINIMUM LENGTH

SMALL	99.5cm (39-1/4")
MEDIUM	113cm (44-1/2")
LARGE	118.5cm (46-3/4")



note

description

**TRIMLINE SHOULDER HARNESS, REAR-PULL, TECHNICAL SPECS**

drawing no.

**D11-0824-30**

date originated

8/24/2011

drawn by

D. HAGAN

rev.

**B**