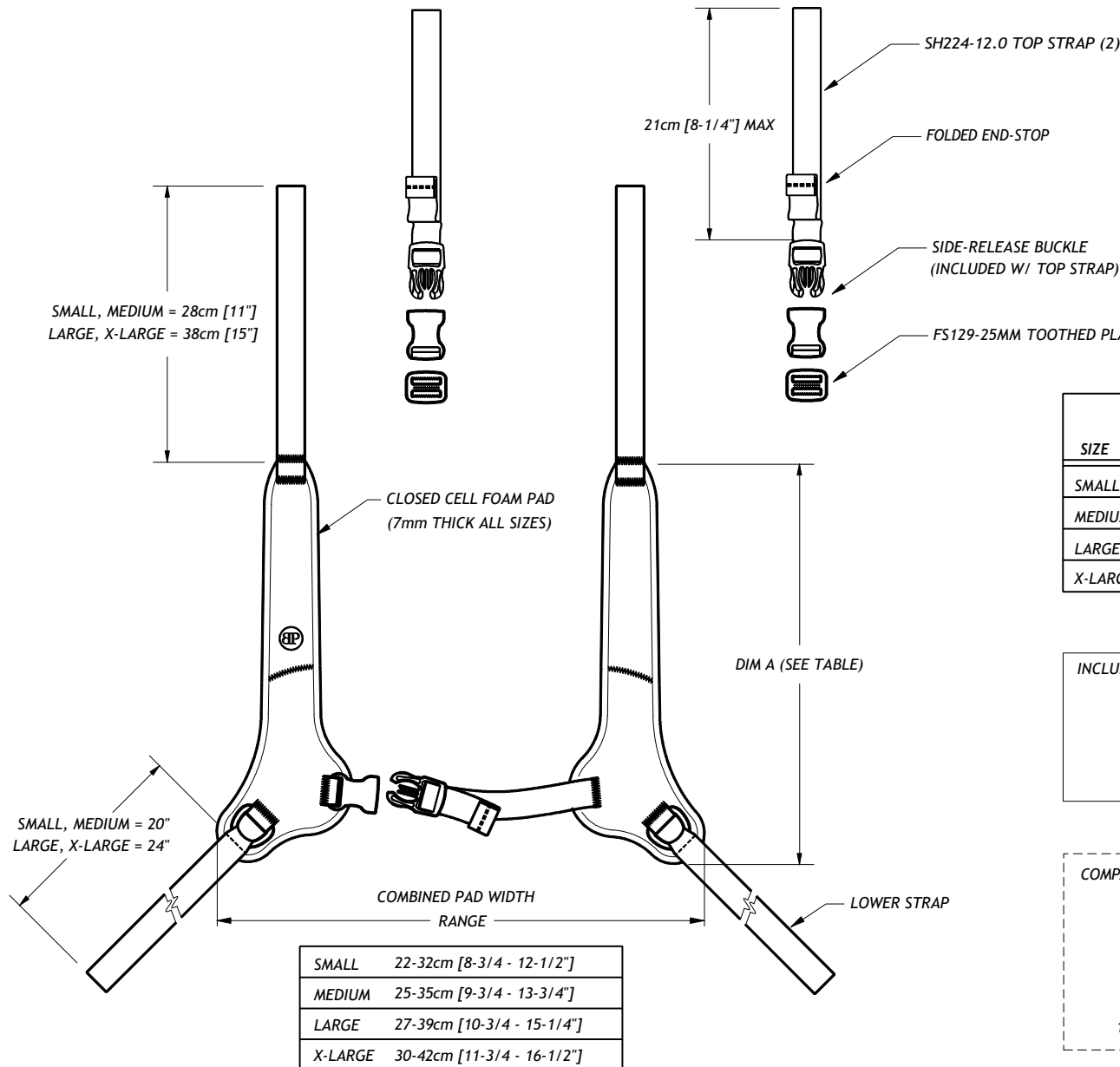




Bodypoint®

technical bulletin



| SIZE | ARTICLE NUMBER | DIM A (PAD LENGTH) |
|---------|----------------|--------------------|
| SMALL | SH224S-B5 | 32cm [12.5"] |
| MEDIUM | SH224M-B5 | 38cm [14.75"] |
| LARGE | SH224L-B5 | 42cm [16.5"] |
| X-LARGE | SH224XL-B5 | 48cm [19.0"] |

INCLUDED IN PACKAGE

HKA31-25mm
1" PLASTIC FLAT-MOUNT END-FITTINGS (4)

COMPATIBLE WITH THESE OPTIONAL END-FITTINGS (NOT INCLUDED)

HKA32-R
1" PLASTIC CINCH-MOUNT

FS032
1" PLASTIC CAM BUCKLE

SHEET 1 of 1

note

description

H-STYLE SHOULDER HARNESS, REAR-PULL, TECHNICAL SPECS

drawing no.

D20-1029-01

date originated

10/29/2020

drawn by

M. KOSH

rev.

A